



Pro Gen4 License Plate Recognition

Edge AI LPR (ANPR) for automatic parking access intelligence



All-in-One Edge AI LPR

Powerful Pro4 Edge AI carrier in Bullet and Dome variance offering powerful, all-in-one and license-free Edge LPR application



Business Intelligence

Experience seamless integration with Exacq and VideoEdge video systems alongside C•CURE access and visitor management solutions, achieve unparalleled efficiency and automation in your operations while gaining valuable business insights.



Parking Access

Effectively manage gated areas, control parking access, and ensure the security of your parking facilities across diverse market sectors



Rich Integrations

Doubled sets of I/O ports available for types of parking systems integrations, access controls and toll management



Smart & Simple

Bullet comes with smart-arm and Dome offers optional sunshield ideal for outdoor installations with LPR Best Practice Guide provided



Powerful Edge AI

Built-in with industry's most comprehensive Video AI suite adding extra values for 24/7 surveillance operations in addition to license plate capturing

Edge LPR for Parking Access and Security of Parking Management

Illustra Edge AI LPR Cameras offer powerful license plate recognition (LPR) capabilities with the familiar Pro4 AI bullet and dome cameras. The ultra-clear 5-megapixel imager delivers double the resolution for superior image quality and precise plate number capture. With built-in and customizable plate lists, these cameras can recognize, allow, or deny vehicle access to gated premises or parking areas, ensuring secure and safe access management.

Optimize business intelligence with grouped plate numbers to provide varying levels of customer service upon detection. The industry-leading Illustra Pro AI suite is embedded, adding valuable AI object intelligence to protect end-customer sites.

When integrated with ExacqVision, American Dynamics victor/VideoEdge video management systems, and Software House C•CURE 9000 access control, Illustra Pro4 LPR creates a seamless and intelligent end-to-end solution.

License Plate Capture Specifications¹

Illustra Vehicle AI suite	5MP LPR Bullet	5MP LPR Dome
Application type	Edge LPR	
License	Perpetual LPR license included and pre-activated Does not require back-end server to operate LPR capturing Does not require a pre-built SD Card to load the plate database	
Vehicle type	Car, bus, truck	
Detection range	Std: 5m to 15m (15 ft to 50 ft); Tele: 15m to 60m (50 ft to 197 ft)	
Vehicle speed	Free-flow traffic and automated vehicle access up to 56 km/h (35 mph)	
Coverage	Single lane recommended	
Smart LPR image processing	Smart auto exposure profiles: LPR (high, medium, low)	
Smart Video AI	Full version of Illustra Pro AI included ²	
Configurations	On-site standalone operations and edge configurations supported 2,000 entries over 4 plate groups with individual event handling supported	
Multi-site interoperability	1 channel of ExacqVision or VideoEdge VMS license included Complement of VideoEdge VE LPR	
Region/country support	Standard modern license plates available in Canada, Europe and United States supported ³	

¹ Use cases and user conditions applied. Camera mounting and lighting and weathering conditions associated with have great impacts to plate number capturing and recognition effectiveness. For more information, please refer to Pro4 LPR Best Practice Guide, quick start guide and user's manual.

² For optimal LPR results, it is recommended to use Video AI applications on a separated camera.

³ Standard plates containing A-Z and 0-9 supported. For a list of supported countries and sub-regions, please refer to Pro4 LPR Best Practice Guide.

Camera Specifications

Camera	5MP LPR Tele Bullet	5MP LPR Bullet	5MP LPR Dome
Image Sensor	Sony 1/2.8" progressive scan ultra-lowlight CMOS sensor		Sony 1/2.8" progressive scan CMOS sensor
Lens – Standard lens models	MTZ 13-55 mm F1.5-2.8, P iris FOV (H): 21.8° ~ 5.6° FOV (V): 16.2° ~ 4.3°	Motorized 2.7-13.5 mm, F1.4-2.8, P iris FOV (H): 103.8° ~ 33.8° FOV (V): 55° ~ 19°	Motorized 2.7-13.5 mm, F1.4-2.8, P iris FOV (H): 103° ~ 33° FOV (V): 74° ~ 25°
Focus assistant	Physical AF button on camera, remote one-push AF		
Day and night	True D/N by mechanically removable IR-cut filter, thresholds adjustable		
Minimum illumination			
– Color	0.09 lux	0.11 lux	0.12 lux
– B/W	0.03 lux	0.03 lux	0.05 lux
– IR on	0 lux	0 lux	0 lux
Shutter speed	1/32,000 sec ~ 1/8 sec		
IR illumination	850 nm IR, power-efficient and durable Adaptive IR Smart IR		
– IR distance	Effective up to PoE 50 m (164 ft), PoE+ 70 m (230 ft)		Effective up to 50 m (164 ft)
Video			
Video compression	H.264, H.265, Motion JPEG		
Resolution and frame rate	Up to 2560x1440 (16:9) or 2560x1920 (4:3) at 30/25 fps, 1080p up to 60/50 fps		
Video streaming	IntelliZip smart compression in H.264 and H.265 Quad streaming CBR/VBR/CVBR configurable bitrate control Higher compression ROI		

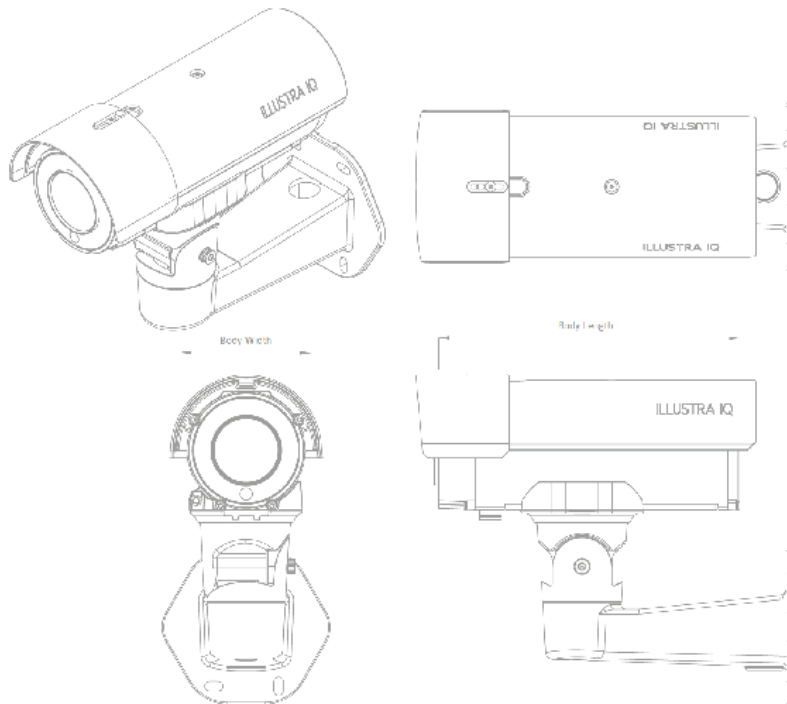
Wide dynamic range	True WDR 120dB technologies Smart WDR, TWDR 2x, TWDR 3x Smart Defog		
Smart image processing	AI Auto exposure: Object, person, face Smart auto exposure profiles: Gaming, LPR, various others		
Image settings	Configurable color contour, auto exposure, AE compensation, auto white balance, auto gain control, auto electronic shutter, flickerless, image orientation, text overlay Digital noise reduction 2D/3D Privacy mask Corridor mode		
Image stabilization	Electronic image stabilization (EIS)		
Video output	1x Micro HDMI for outdoor preview or indoor PVM where waterproofing is addressed via optional HDMI Cable IA-HDM-OD-P4D		
Audio			
Audio compression	G.711 μ -law		
Audio streaming	Bi-directional, full duplex		
Audio input/output	1x Line-in, 1x line-out, terminal block	Built-in Microphone 1x Line-in, 1x line-out, terminal block	
Video Content Analysis			
AI Object classifications	Classes	Person	Person
		Vehicle	Bicycle, bus, car, motorbike, train, truck
		Retail	Cart
		Suspicious objects	Backpack, handbag, suitcase
	Sub-classes	Person clothing colors (upper, lower), vehicle colors	
	Rules	Object detected, abandoned/removed objects, direction, linger, dwell, enter, exit, crowd, queue, perimeter	
AI Face detection	Yes		
AI Tamper detection	White out, black out, scene change		
AI Blur detection	Yes		
AI Metadata	Yes		
AI Smart Search	AI Person Re-ID (via VideoEdge v6.1.1 or after)		
Video motion detection	Yes		
Network			
Ethernet	IEEE 802.3, 10/100 Base-T, 1x RJ45, auto sensing		
Cyber security	ISASecure ISA/IEC 62443-4-1 certified secure development UK PSTI Act Schedule 1 compliant Secure boot Signed and encrypted firmware		
Network security	Multi-level password protections, brute force delay protection, IP address filtering, HTTPS encryption, IEEE 802.1x (PEAP, EAP-TLS, EAPoL), digest authentication, HTTPS over TLS, WS-Security, certificate management, enhanced security (one-click security hardening, user access log, validate complex credentials, disabling unused protocols)		
Supported protocols	TCP/IP, IPv4, IPv6, TCP, UDP, HTTP, FTP, DHCP, WS-Discovery, DNS, DDNS, RTP, RTCP, RTSP, TLS, Unicast, Multicast, NTP, ICMP, IGMP, SMTP, WS-Security, IEEE 802.1x, PEAP, EAP-TLS, EAPoL, SSH, HTTPS, SOAP, WS-Addressing, CIFS, UPNP, LLDP, QoS, SIP, Hostname configuration		
Network management	SNMP v2c/v3		
Simultaneous users	10		
System Integrations			
Alarm	2x Line-in, 2x relay line-out (30V, 1A), terminal block		
Application program interface	ONVIF Profile S, Profile G, Profile M, Profile T, test tool 23.12 or later conformant Illustra iAPI via Connected Partner program		
Event triggers	Video analytics, alarm input, network loss, temperature		
Event handling	Record to SD, snapshot, SMTP email out, FTP upload, CIFS, alarm output, playback audio clip, SIP call		
VMS compatibility	ExacqVision 24.09, VideoEdge 6.4 or later		
Peripherals			
Wireless configuration	1x Micro USB for use with Illustra Tools app via optional USB Wi-Fi Dongle IA-KIT-WD-UUA		
Onboard storage	1x microSDXC slot, Class 10 or higher, up to 2TB capacity, card not included 1~10 sec pre/post-event buffering Encrypted storage and streaming TrickleStor offline recording and backfilling via VideoEdge and ExacqVision NVR		

Mechanical			
Casing	Die casting aluminum body and bracket Polycarbonate front window and sunshield		Die casting aluminum dome base Encapsulated electronics Polycarbonate clear bubble
Mounting	Smart mounting bracket		Surface mount Built-in recessed mounting kit 3-axis adjustable lens holder Outdoor weather hood (optional)
	Versatile mounting options available, see Optional Accessories		
Vandal resistance	IK10 impact-resistant rated		
Weathering resistance	IP67/66 rated, NEMA 250 Type 4X certified		IP67/66 rated, UL 50 Type 4X certified
Color	RAL 9003 signal white		
Reset buttons	1x Reboot, 1x factory reset		
Dimension (WxL)	Ø79.9 x 235.5 mm (Ø3.2 x 9.3 in)	Ø79.9 x 205 mm (Ø3.2 x 8.1 in)	Ø138 x 135 mm (Ø5.4 x 5.3 in)
Weight	Net 1.4 kg (3.1 lbs), gross 3.3 kg (7.3 lbs)	Net 1.2 kg (2.7 lbs), gross 3.2 kg (7.1 lbs)	Net 1.2 kg (2.7 lbs), gross 1.7 kg (3.7 lbs)
Electrical			
Power source	PoE IEEE 802.3af, PoE+ IEEE 802.3at Type 2 Class 4 24 VAC, 1.27A, terminal block	PoE IEEE 802.3af Type 1 Class 4, PoE+ IEEE 802.3at Type 2 Class 4 24 VAC, 1.27A, terminal block	PoE IEEE 802.3af Type 1 Class 3 24 VAC, 0.8A, terminal block
Power consumption (max)	PoE 12.95 W, PoE+ 18.72 W, 24 VAC 21 W		PoE 12.95 W, 24 VAC 16.5W
Dual power redundancy	Supported		
Environmental			
Operating conditions	-50 °C ~ 60 °C (-58 °F ~ 140 °F)		-50 °C ~ 60 °C (-58 °F ~ 140 °F)
	Maximum temperature (intermittence): 65 °C (165 °F) Up to 0 ~ 95% RH non-condensing		
Cold start temperature	-40 °C (-40 °F)		
Storage conditions	-40 °C ~ 65 °C (-40 °F ~ 165 °F)		
	Up to 0 ~ 95% RH non-condensing		
Regulatory			
EMC	BS/EN 55032 Class A, IEC/BS/EN 61000-3-2/3, BS/EN 50130-4, IEC/EN 61000-4-2/3/4/5/6/8/11, FCC Part 15 Subpart B Class A, ICES-003/NMB-003, Class A, IEC/BS/EN 61000-6-4, BS/EN 50121-1, BS/EN 50121-4		BS/EN 55032 Class A, BS/EN 61000-3-2/3, BS/EN 50130-4, IEC 61000-4-2/3/4/5/6/8/11, IEC/EN 61000-6-1/2, FCC, Part 15 Subpart B Class A, ICES-003/NMB-003 Class A
Safety	IEC/UL/CB 62368-1, CAN/CSA-C22.2 No. 62368-1 IEC/UL/CB 60950-1, CAN/CSA-C22.2 No. 60950-1		
Environment	NEMA 250 Type 4X		UL 50 Type 4X
	IEC/EN 62262 (IK10), IEC/EN 60529 (IP67/66) RoHS, WEEE, REACH		
General			
Web browser support	Edge, Firefox, Safari, Chrome		
Device configuration	ONVIF, Web browser, Illustra Connect (Windows), Illustra Tools (iOS, Android)		
Language	Arabic, Chinese (Simplified), Chinese (Traditional), Czech, Danish, English (default), French, German, Hungarian, Italian, Japanese, Korean, Netherlands, Polish, Portuguese, Russian, Spanish, Swedish, Turkish		
NDA compliant	Yes		
TAA compliant	Yes		
Warranty	5 years		

Dimensions

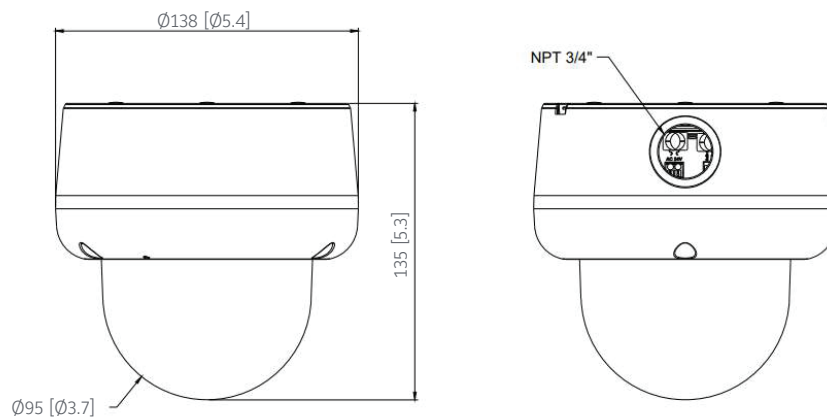
Unit: mm [in]

Bullet



Model	Bullet Main Body (WxL)
Standard lens	Ø79.9 x 205 mm (Ø3.2 x 8.1 in)
Telephoto lens	Ø79.9 x 235.5 mm (Ø3.2 x 9.3 in)

Dome



Ordering Information

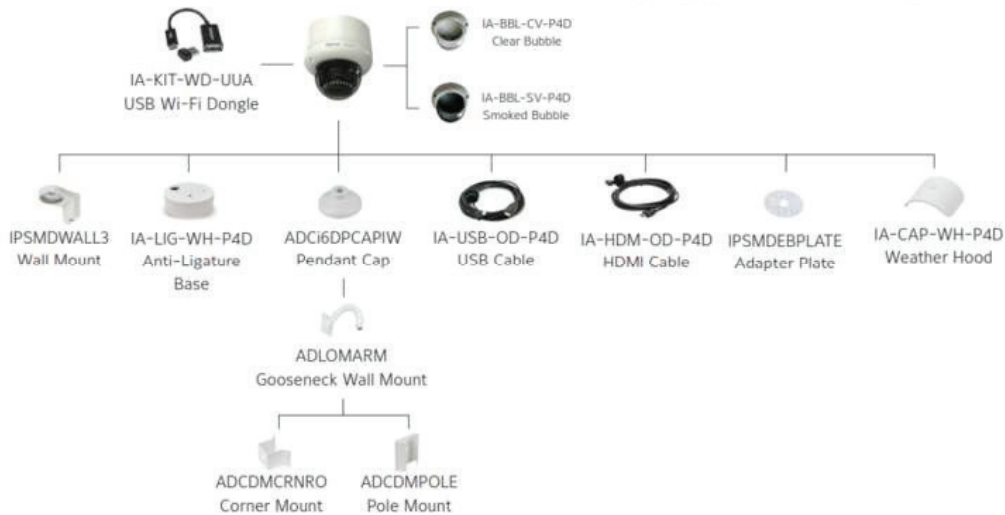
Camera Type	Part Number	Product Name	Description
Bullet	IPS05-B12-LPR4	Pro4 LPR Bullet 5MP	Illustra Pro Gen4 5MP LPR Bullet, 2.7-13.5mm, TDN, w/IR, Indoor/Outdoor
Dome	IPS05-D12-LPR4	Pro4 LPR Dome 5MP	Illustra Pro Gen4 5MP LPR Dome, 2.7-13.5mm, TDN, w/IR, Indoor/Outdoor
Bullet	IPS05-B16-LPR4	Pro LPR Tele Bullet	Illustra Pro Gen4 5MP LPR Bullet, 13-55mm, AI, TDN w/IR, TWDR, indoor/outdoor

Optional Accessories

Bullet



Dome



Part Number	Description
ADCDMCRNRO	Corner Mount
ADCDMPOLE	Pole Mount
ADCi6DPCAPIW	Pendant Cap
ADLOMARM	Gooseneck Wall Mount
IA-BBL-CV-P4D	Pro4 Dome Bubble Assembly, Clear
IA-BBL-SV-P4D	Pro4 Dome Bubble Assembly, Smoked
IA-CAP-WH-P4D	Pro4 Dome Weather Hood (Sunshield)
IA-HDM-OD-P4D	HDMI Cable, Micro HDMI male to Type A male, 3 m (9.8 ft)
IA-KIT-WD-UUA	USB Wi-Fi Dongle
IA-LIG-WH-P4D	Pro4 Dome Anti-Ligature Base
IA-USB-OD-P4D	USB Cable, Micro-B male to Type A female, 5 m (16.4 ft)
IFBMNTBOX	Junction Box
IPSMDEBPLATE	Adapter Plate
IPSMWALL3	Wall Mount

© 2025 Johnson Controls. All rights reserved. Product offerings and specifications are subject to change without notice.

Actual products may vary from photos. Not all products include all features. Availability varies by region; contact your sales representative.

IL1498-DS-202509-R01-HS-EN