

Pre-integrated, best-of-breed security

The Complete Security Solution provides best-of-breed intrusion detection, access control and video surveillance all from a single, trusted partner. You can deliver a full solution to your customers with ease and confidence; and business owners and security personnel can manage all aspects of on-premises physical security from a single interface – via Kantech or exacqVision.



Capabilities Highlights

- Operate and manage enterprise-wide security systems via one seamless interface
- View partition and zone status on cameras
- Receive push notifications for triggered intrusion and access control alarms
- Instantly see video verification of access control and intrusion alarms
- Gain complete control on- and off-site, using a suite of mobile apps



Kantech Access Control

- EntraPass performance software, compatible with all Kantech door controllers, enables secure, quick and efficient operation of any number of doors where card access is required
- EntraPass Web and EntraPass Go enable remote and mobile visibility and control



exacqVision Video Surveillance

- exacqVision VMS software gives end users the flexibility they require to effectively monitor video, audio and data in real time
- The Exacq Mobile app allows users to monitor their premises via their mobile device



DSC Intrusion Detection

- PowerSeries Neo intrusion systems provide end users with ultimate reliability, advanced features and easy scalability
- Hybrid wired system with PowerG wireless devices and peripherals enables use of a mobile app to control the system from anywhere



Do better business

Gain a new competitive advantage and boost customer loyalty by becoming their single trusted security solutions provider.



Increase your revenues

Win more jobs, with an easier sell than multiple brands, and a lower total cost of ownership.

- Add new revenue streams
- Capture more of your customers' security spend
- Faster, more profitable installs
- Reduce onsite service calls



Expand your portfolio

Partner with the industry's largest security brand's quality products, innovation and services.

- Easily expand into security applications that you don't currently offer
- Provide customers with more options and the best user experience



Upsell

Upgrade current customers and attract new customers.

- Add value to existing installs by offering more complete end-user functionality
- Offer a staged approach to suit customers' budget strategies
- Engage new customers with starter installations, and grow them from there

Optimize your customers' experience

Save time and cost for your customers with a single-touchpoint security solution with integrated access control, video surveillance and intrusion.



Simplified and more effective management

- Flexible control of all three platforms from both Kantech and Exacq interfaces
- Increased operator control
- Easier, single-vendor management
- Multi-platform workflows can reduce response times to critical alarms and events



Remote management and control

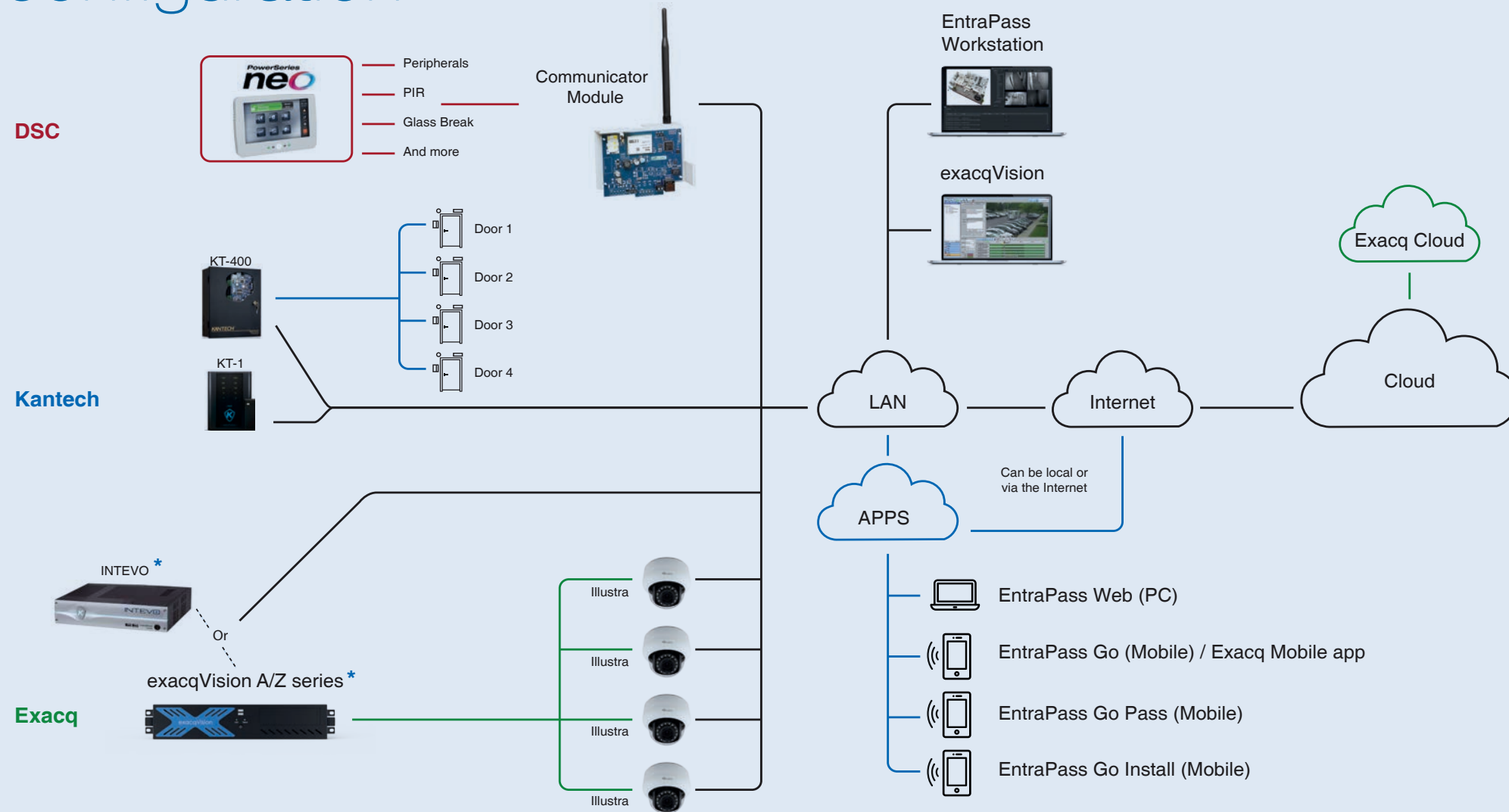
- Reduces visits to distributed sites
- Speeds reaction and response times



Scalability and reduced cost of ownership

- One server for multiple security applications reduces hardware, power and cooling costs
- Once one platform is installed, adding basic capabilities from another platform is cost-effective
- Ideal for any business or organization, from a single site to a global deployment

Solution configuration



* Intevo and exacqVision A/Z series hardware run both exacqVision and EntraPass Corporate Edition software

Video surveillance – Exacq

exacqVision Video Management System (VMS) Software

Records surveillance video from thousands of IP camera models and displays it on client software, in a web browser or mobile app.

- Effectively monitor video, audio and data in real time - customizable video wall, two-way audio, interactive mapping, notification overlays and more
- Reduce review time and conduct investigations seamlessly - video bookmarking, powerful search capabilities, video export in standard formats or as a self-contained, tamper-protected player



exacqVision Windows Network Video Recorders (NVR)

- A-Series – all-in-one hybrid server and IP camera server solutions
- Z-Series – high-performance network video recorders supporting up to 500 remote clients

End users can also manage intrusion and access control via exacqVision VMS

- Monitor zone status
- Arm, disarm, silence zones
- Monitor door status
- Control doors
- Search video related to alarm and door events

Access control – Kantech

EntraPass Corporate Edition Security Software

A multi-workstation software platform that offers the ultimate balance between power and affordability in a network environment.

- Supports up to 20 workstations and controls hundreds of thousands of doors
- Integrates with EntraPass Go and EntraPass Go Pass mobile apps and EntraPass Web platform, delivering remote and convenient access to common access control, video and intrusion tasks and reporting
- EntraPass Go Install mobile app enables easy configuration



- Compatible with Kantech IP devices such as KT-400 / KT-1 controllers
- Double and triple swipe card at reader (with KT-400 controller) to activate such features as: activate relay, arm alarm system and lock/unlock doors
- Integrates with ASSA ABLOY Aperio wireless locks for integrated lock solution

End users can also manage intrusion and video via EntraPass software

- Monitor zone status
- Arm, disarm, silence zones
- View live video
- Trigger video recording actions
- Search video related to alarm and door events

Intrusion alarm – DSC

PowerSeries Neo Intrusion Systems



Complete hybrid wired/wireless intrusion security for any premises, from large residential to large light-commercial.

- Combines the reliability of traditional wired security with the accessibility and scalability of wireless systems
- PowerG wireless technology
- Highly scalable and customizable
- Wide range of peripherals, including devices powered by PowerG long-range, long-battery life wireless technology
- Supports visual and audio alarm verification

- Enables mobile access to intrusion system
- Choice of 4 control panels ranging in capacity from 16 to 128 zones



Up your game in today's market

Want to know about Complete Security Solution and what it can do for you and for your customers?

Learn more and register to become a Complete Security Solution dealer at:

CompleteSecurity.tycosecurityproducts.com

A Johnson Controls brand

Tyco Security Products, a business unit of Tyco International, is a unified group of world-leading access control, video and intrusion brands. Together, our brands have more combined years of experience in the security industry than any other group in the world. Engineers specializing in video security, access control, location based security and intrusion security provide Tyco Security Products with the industry advantage in system integration.

With the extensive Tyco Security Products portfolio – one of the largest available worldwide – you can expand your offering and position yourself as your customers' one-stop trusted security partner.